

# AccuBird®

**The well-proven blind rivet setting tools with Li-Ionen energy**

AccuBird® with battery 14.4 V / 1.3 Ah and charger, in carrying case

**Part no. 725 0037**

AccuBird® with two batteries 14.4 V / 1.3 Ah and charger, in carrying case

**Part no. 725 0019**

## AccuBird® – Production

- Developed and produced in Germany since 1992 by the inventor of the battery blind rivet setting tool

## Reliability

- Electronic control
- No mechanical switching components
- Electronic temperature and overload protection
- High reliability through low loss power transmission via a highly efficient ball screw drive

## Freedom

Cablefree tool for flexible operation in installation jobs and industry production



## High performance

- 10.000 N setting force
- High pulling force for safe setting of blind rivets up to 5 mm diameter in all materials
- High yield per battery charge
- Large 20 mm stroke

## Versatility

Blind rivets up to 5 mm Ø all materials. BULB-TITE® blind rivets 4 mm, 5.2 mm and 6.3 mm Ø alu and steel

## High speed

- High speed of operation through automatic resetting of the jaw mechanism immediately after each setting process

## With Li-Ion energy

- Choice of 1.3 Ah and 2.6 Ah Li-Ion batteries

Setting tools  
Blind rivets



2

# AccuBird® – Rechargeable 14.4 volt riveting tool with Li-ion battery – Accessories

## Working range

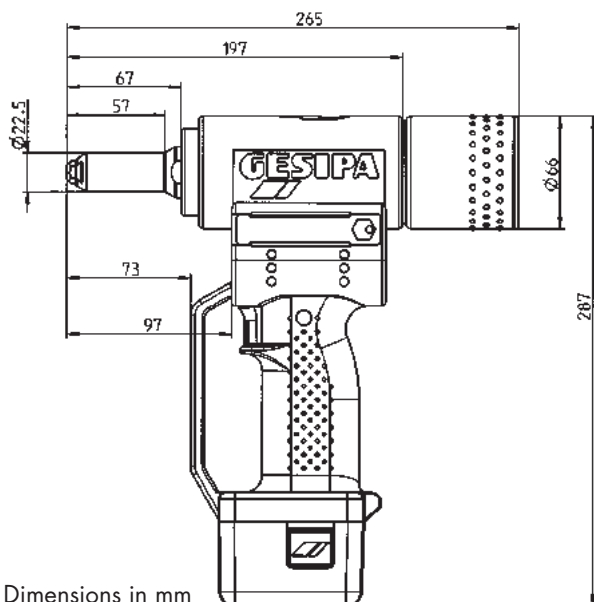
Blind rivets up to 5 mm Ø all materials.  
BULB-TITE® blind rivets 4, 5.2 and 6.3 mm Ø  
alu and steel.

## Nosepieces

17/24, 17/27, 17/29 and 17/32

## Technical data

Weight: 2.0 kg with battery  
Stroke: 20 mm  
Drive: DC motor  
Traction power: 10,000 N



Dimensions in mm

AccuBird® with battery 14.4 V / 1.3 Ah  
and charger, in cardboard box

**Part no. 725 0029**

AccuBird® with battery 14.4 V / 1.3 Ah,  
in cardboard box

**Part no. 725 0010**

AccuBird® with battery 14.4 V / 1.3 Ah and charger  
with spring loaded trigger system in carrying case

**Part no. 725 0015**

## Charger 14.4 V Li-Ion

**Part no. 725 1134**



## Technical data

Input voltage: 230 V / 50 Hz  
Output voltage: 14.4 V DC  
Recharging time: 50 to 100 minutes  
(battery depending)  
Weight: 0.6 kg

## Battery 14.4 V/1.3 Ah (Li-Ion)

**Part no. 725 1045**

Weight: 0.35 kg

## Power battery 14.4 V/2.6 Ah (Li-Ion)

**Part no. 725 1049**

Weight: 0.5 kg  
available as special accessory

**With Deep Sleep  
function to extend  
the battery charge**



## Charger 12 V NiCd

**Part no. 725 1035**